

AC Input, Pulse Cleaning of Bag House Dust Collectors

Models DNC-T2003 through DNC-T232

FEATURES

- **Universal voltage input:** 95 to 265 VAC 50/60 Hz
- **One SKU:** covers all voltages and time ranges required in your application
- **Advanced surface mount component technology:** extremely reliable and trouble free operation
- **Digital microprocessor controlled circuitry:** for precise pulse timing
- **Non-Volatile memory:** for retaining programmed settings
- **3 digit, 7 segment numeric display:** for ease of viewing controller operation
- **Easily programmable:** on/off times and last output used via keypad
- **Small footprint:** same size for 3, 6 and 10 output control
- **Time Ranges for all applications:** On Time: 50ms to 600 sec, Off time: 1 to 999 sec
- **2 modes of operation:** can be operated continuously or on demand via external pressure switch
- **Finger safe terminations:** reliable electrical connections and increases safety
- **RoHS construction:** suited for global applications
- **Supplied on metal chassis:** for mounting directly in a NEMA 4 box
- **Retrofit models available:** for direct drop in replacement of former product
- **UL/CUL:** File # E65038

OPERATING LOGIC

The DNC-T2003 through DNC-T232 controls are output sequencers with an adjustable ON TIME, OFF TIME, and LAST OUTPUT. Upon application of power to the L1 and L2 terminals with the high pressure switch contacts closed, the OFF TIME is initiated. At the end of the preset OFF TIME, output 1 will turn on for the preset ON TIME. The control will cycle through all selected outputs until the high and low pressure switch contacts are opened. If the pressure switch contacts open during the ON TIME, the output will complete the active ON cycle. The next time the high pressure switch is closed the next output in the sequence is fired. Pressure monitoring with no hysteresis is achieved by using only

a high pressure switch. Placing a jumper across the high pressure input forces the control to run continuously.

Note: Controls are shipped with jumper across pressure switch terminals

PROGRAMMING

Programming is accomplished using 3 buttons: down, up, and select

Down: Decrements the active parameter

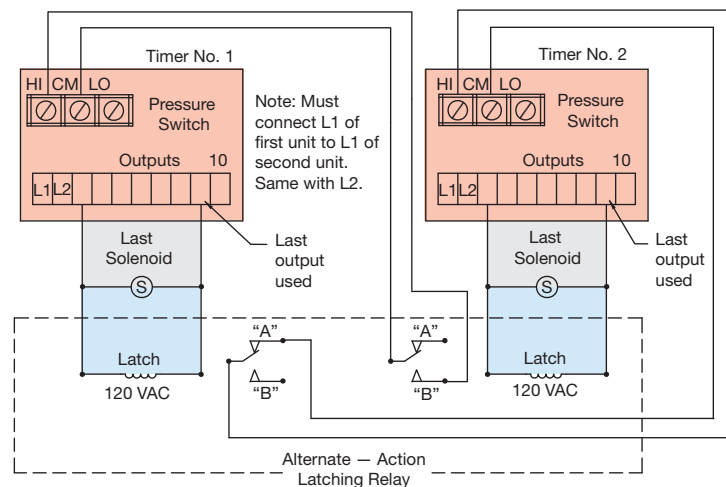
Up: Increments the active parameter

Select: Toggles amongst the adjustable parameters: on-time, off-time, and last output

Programming Mode Timeout: 60 seconds

TEST & DEFAULT MODES

Test mode is entered by pressing and holding the select button for 3 seconds while the unit is in the normal operating mode. Once in test mode, the display will show tSt. Pressing the up or down arrow buttons toggles amongst outputs, and pressing select pulses the selected output for the preset ON-TIME. Pressing the select button while the display shows tSt will change the display to "dFt". While the display shows "dFt", the up and down arrows toggle amongst "y", "n", and "dFt". Pressing select when the message is "y" will set all adjustable parameters to the factory defaults. At any time in test and default modes, pressing and holding the select button for 1.5 seconds will revert the controller back to the normal operating mode.



SPECIFICATIONS

INPUT:

Input Voltage: 95 – 265 VAC 50/60 Hz

Power Consumption: 6.30 VA max plus load

Circuit Protection: 3.15A fast acting fuse and 72J metal-oxide varistor at input

OUTPUT:

Output: Solid state, 150VA max

Off State Leakage 1.5mA max

On State Voltage Drop: 1.5V max

ENVIRONMENTAL:

Operating Temperature: -40 to +150 F (-40 to +66 C) Conformally coated with RTV to protect against moisture, corrosion, and vibration

DISPLAY:

Display: 3 digit, 7 segment, green LED

Indicator LEDs: 5 green SMT (power, cleaning, on time, off time, last output)

TIME DELAY:

On Time: 50 milliseconds – 600 seconds

Off Time: 1 – 999 seconds

Resolution: 10ms (50ms – 1 0 sec), 100ms (10sec – 100sec), 1sec (100sec – 600sec)

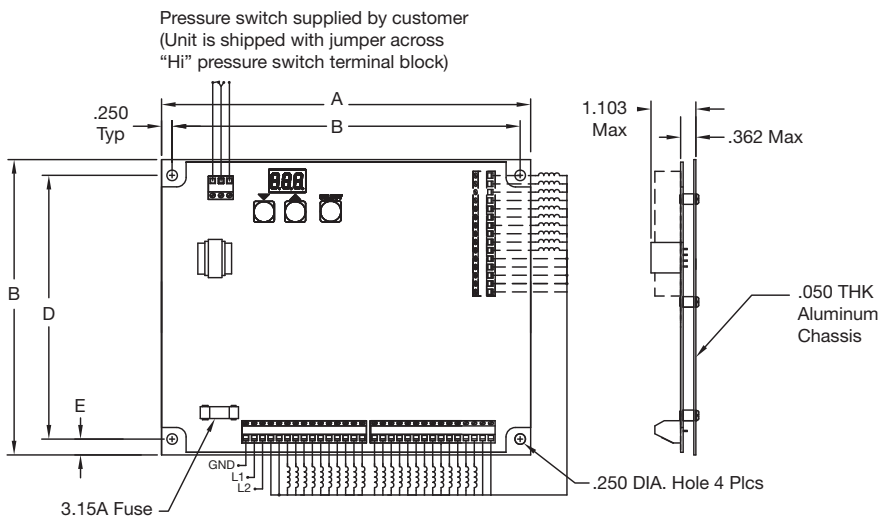
Accuracy and Repeatability: ±3% over temperature and voltage range

Default Settings:

On Time: 50 milliseconds

Off Time: 15 seconds

Last Output: Max. No. of Outputs



ORDERING INFORMATION

Model	Max. No. of Outputs	Dimensions - Inch					Size of NEMA 4 Enclosure Req'd.
		A	B	C	D	E	
DNC-T2003-020	3	6.75"	4.75"	6.25"	4.25"	.250"	8" X 6" X 3.5"
DNC-T2006-020	6	6.75"	4.75"	6.25"	4.25"	.250"	8" X 6" X 3.5"
DNC-T2010-020	10	6.75"	4.75"	6.25"	4.25"	.250"	8" X 6" X 3.5"
DNC-T2020-020	20	8.75"	7.00"	8.25"	6.25"	.375"	10" X 8" X 4"
DNC-T2032-020	32	8.75"	7.00"	8.25"	6.25"	.375"	10" X 8" X 4"
DNC-T2006-R20	6	8.75"	6.875"	8.25"	6.25"	.313"	10" X 8" X 4"
DNC-T2010-R20	10	8.75"	6.875"	8.25"	6.25"	.313"	10" X 8" X 4"
DNC-T2020-R20	20	10.75"	8.875"	10.25"	8.25"	.312"	12" X 10" X 5"
DNC-T2032-R20	32	12.75"	10.875"	12.126"	10.251"	.312"	14" X 12" X 6"

Caution:

1. Do not mount controls in high vibration areas without shock mounts.
2. Do not mount controls in areas of high dust or corrosive atmospheres without a protective enclosure.
- 3 Do not use a converter or inverter for the power source.
4. Do not mount control in high transient voltage areas without an isolation transformer.
5. Do not leave control box open.
6. Do not allow a local repair shop to repair the controls, as we employ some very sophisticated components that could be further damaged. For service, call us directly: 800-323-2593.